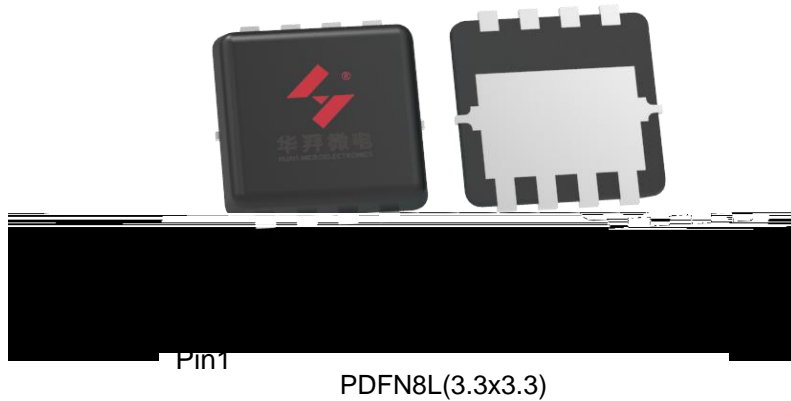


P-Channel Enhancement Mode MOSFET

Feature

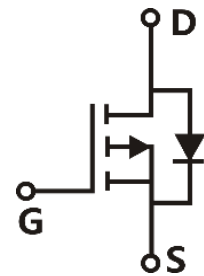
- -30V/-26A
 $R_{DS(ON)} = 21$ @ $V_{GS} = -10V$
 $R_{DS(ON)} = 39$ @ $V_{GS} = -4.5V$
- 100% Avalanche Tested
- 100% DVDS
- Reliable and Rugged
- Halogen Free and Green Devices Available
 (RoHS Compliant)

Pin Description



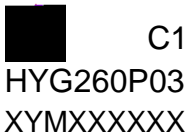
Applications

- Switching application
- Li-battery protection
- DC-DC
- Motor control



Single P-Channel MOSFET

Ordering and Marking Information

	<p>Package Code C1: PDFN8L(3.3x3.3)</p> <p>Date Code XYMXXXXXX</p>
---	--

Note: HUAYI halogen free products contain molding compounds/die attach materials and 100% matte tin plate Termination finish; which are fully compliant with RoHS. HUAYI halogen free products meet or exceed the halogen free requirements of IPC/JEDEC J-STD-020 for MSL classification at halogen free peak reflow temperature. HUAYI defines Green to mean halogen free (RoHS compliant) and halogen free (Br or Cl does not exceed 900ppm by weight in homogeneous material and total of Br and Cl does not exceed 1500ppm by weight).

HUAYI reserves the right to make changes, corrections, enhancements, modifications, and improvements to this product and/or to this document at any time without notice.

Absolute Maximum Ratings

Symbol	Parameter	Rating	Unit	
Common Ratings (Tc=25°C Unless Otherwise Noted)				
V _{DSS}	Drain-Source Voltage	-30	V	
V _{GSS}	Gate-Source Voltage	± 20	V	
T _J	Junction Temperature Range	-55 to 175	°C	
T _{STG}	Storage Temperature Range		°C	
I _S	Source Current-Continuous(Body Diode)	Tc=25°C	-26	A
Mounted on Large Heat Sink				
I _{DM}	Pulsed Drain Current *	Tc=25°C	-72	A
I _D	Continuous Drain Current	Tc=25°C	-26	A
		Tc=100°C	-18	A
P _D	Maximum Power Dissipation	Tc=25°C	35	W
		Tc=100°C	18	W
R _{θJC}	Thermal Resistance, Junction-to-Case		4.18	°C/W
R _{θJA}	Thermal Resistance, Junction-to-Ambient **		100	°C/W
E _{AS}	Single Pulsed-Avalanche Energy ***	L=0.3mH	56	mJ

Note: * Repetitive rating pulse width limited by max.junction temperature.
 ** Surface mounted on 1in2 FR-4 board.
 *** Limited by T_{Jmax}, starting T_J=25°C, L = 0.3mH, R_θ= 25, V_{GS}=10V.

Electrical Characteristics(Tc =25°C Unless Otherwise Noted)

Symbol	Parameter	Test Conditions	HYG260P03LR1			Unit
			Min	Typ.	Max	
Static Characteristics						
BV _{DSS}	Drain-Source Breakdown Voltage	V _{GS} =0V, I _{DS} =250 A	-30	-		V
I _{DSS}	Drain-to-Source Leakage Current	V _{DS} =-30V, V _{GS} =0V	-	-	-1	A
		T _J =125°C	-	-	-50	A
V _{GS(th)}	Gate Threshold Voltage	V _{DS} =V _{GS} , I _{DS} =250 A	-1.0	-1.8	-3.0	V
I _{GSS}	Gate-Source Leakage Current	V _{GS} =± 20V, V _{DS} =0V	-	-	±100	nA
R _{DS(ON)}	Drain-Source On-State Resistance	V _{GS} =-10V, I _{DS} =-12A	-	21	29	m
		V _{GS} =-4.5V, I _{DS} =-7A		39	49	m
Diode Characteristics						
V _{SD}	Diode Forward Voltage	I _{SD} =-12A, V _{GS} =0V	-	-0.85	-1.0	V
t _{rr}	Reverse Recovery Time	I _{SD} =-12A, dI _{SD} /dt=100A/	-	9.9	-	ns
Q _{rr}	Reverse Recovery Charge		-	3.2	-	nC

Electrical Characteristics (Cont.) (T_c =25°C Unless Otherwise Noted)

Symbol	Parameter	Test Conditions	HYG260P03LR1			Unit
			Min	Typ.	Max	
Dynamic Characteristics						
R _G	Gate Resistance	V _{GS} =0V, V _{DS} =0V, F=1MHz	-	6.8	-	
C _{iss}	Input Capacitance	V _{GS} =0V, V _{DS} =-25V, Frequency=1MHz	-	1206	-	pF
C _{oss}	Output Capacitance					
C _{rss}	Reverse Transfer Capacitance					
t _{d(ON)}	Turn-on Delay Time	V _{DD} =-20V, R _G =4 I _{DS} =-12A, V _{GS} =-10V	-	7.9	-	ns
T _r	Turn-on Rise Time					
t _{d(OFF)}	Turn-off Delay Time					
T _f	Turn-off Fall Time					
Gate Charge Characteristics						
Q _g	Total Gate Charge(V _{GS} =-10V)	V _{DS} =-24V, I _{DS} =-12A	-	21.7	-	nC
	Total Gate Charge(V _{GS} =-4.5V)			10.3		
Q _{gs}	Gate-Source Charge		-	5.7	-	
Q _{gd}	Gate-Drain Charge		-	4.5	-	
V _{plateau}	Gate plateau voltage		-	-4.1	-	V

Note: *Pulse test pulse width 300us duty cycle 2%

Typical Operating Characteristics

Figure 1: Power Dissipation



Figure 2: Drain Current



Figure 3: Safe Operation Area

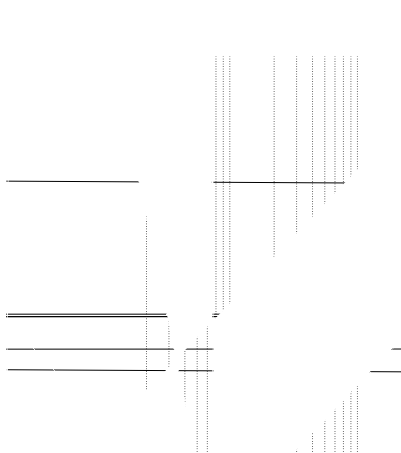


Figure 4: Thermal Transient Impedance

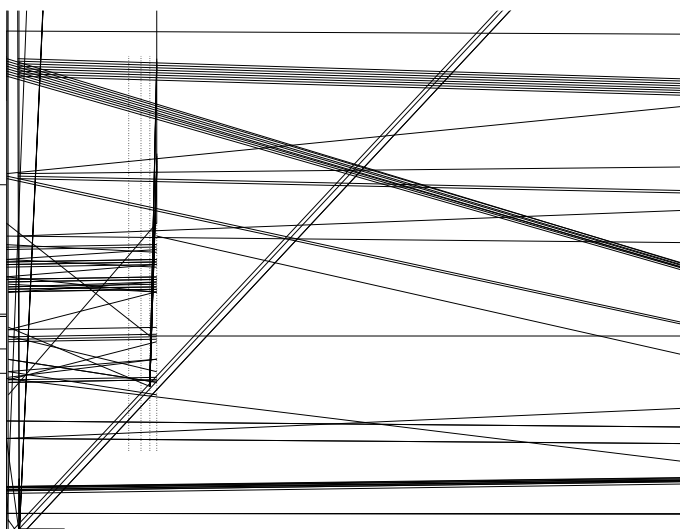


Figure 5: Output Characteristics



Figure 6: Drain-Source On Resistance



Typical Operating Characteristics(Cont.)

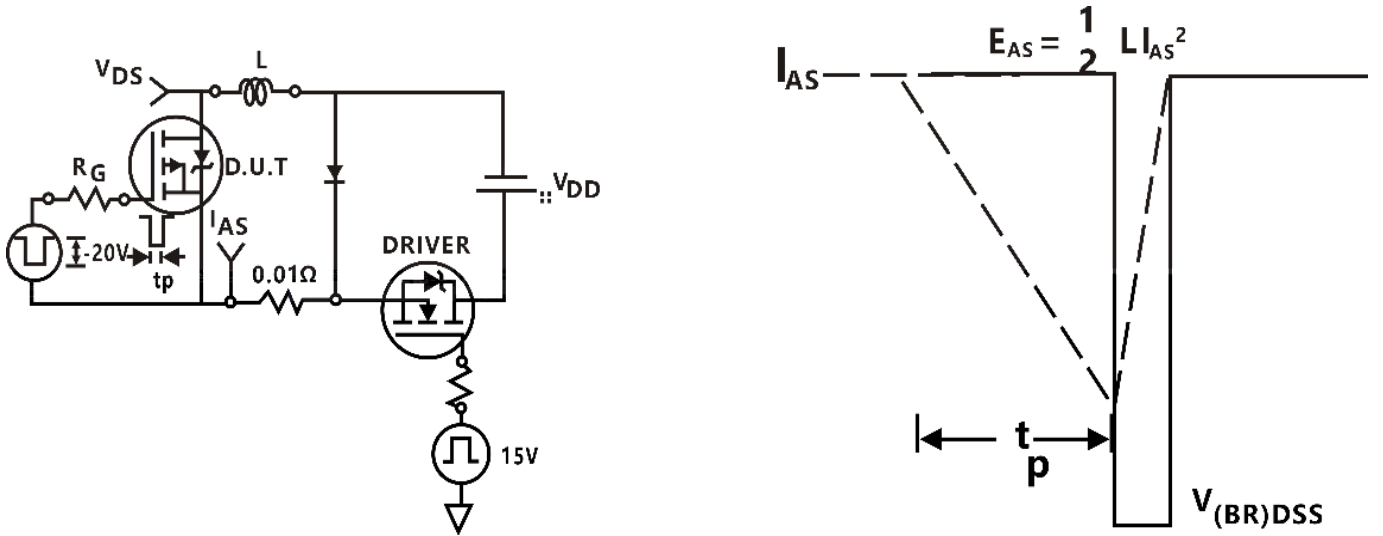
Figure 7: On-Resistance vs. Temperature

Figure 8: Source-Drain Diode Forward

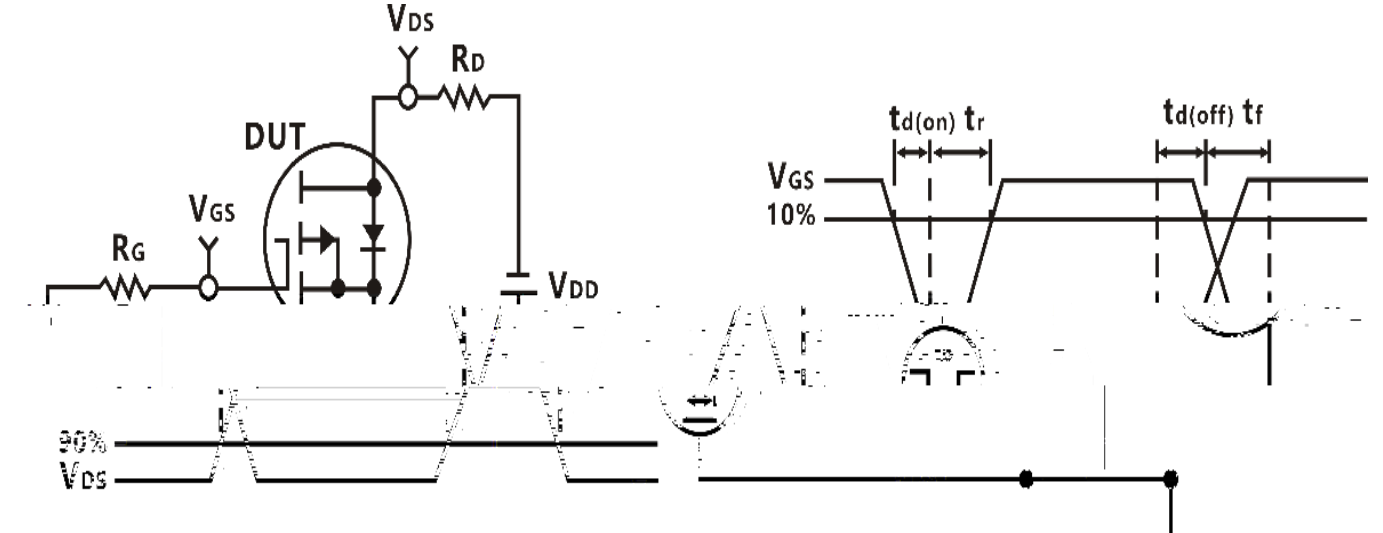
Figure 9: Capacitance Characteristics

Figure 10: Gate Charge Characteristics

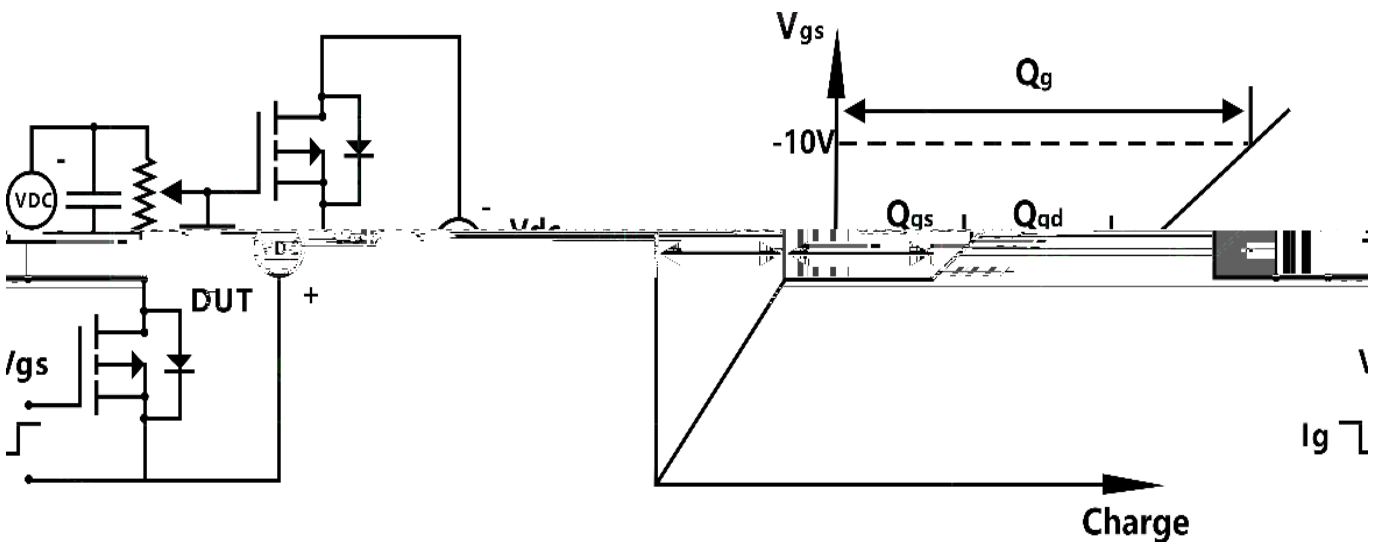
Avalanche Test Circuit



Switching Time Test Circuit



Gate Charge Test Circuit



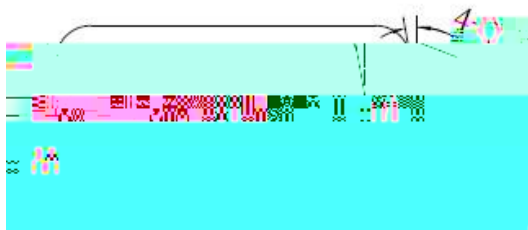
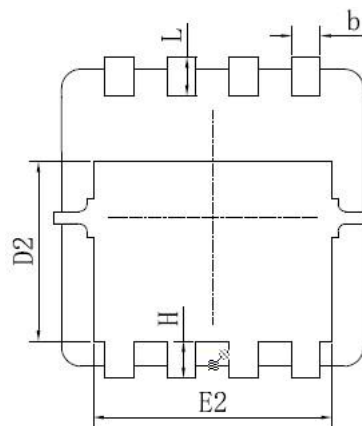
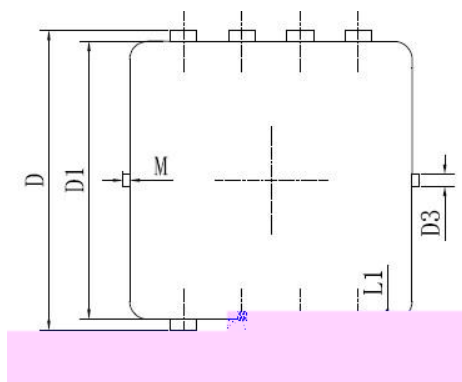
Device Per Unit

Package Type	Unit	Quantity
PDFN8L(3.3x3.3)	Reel	6500

Package Information

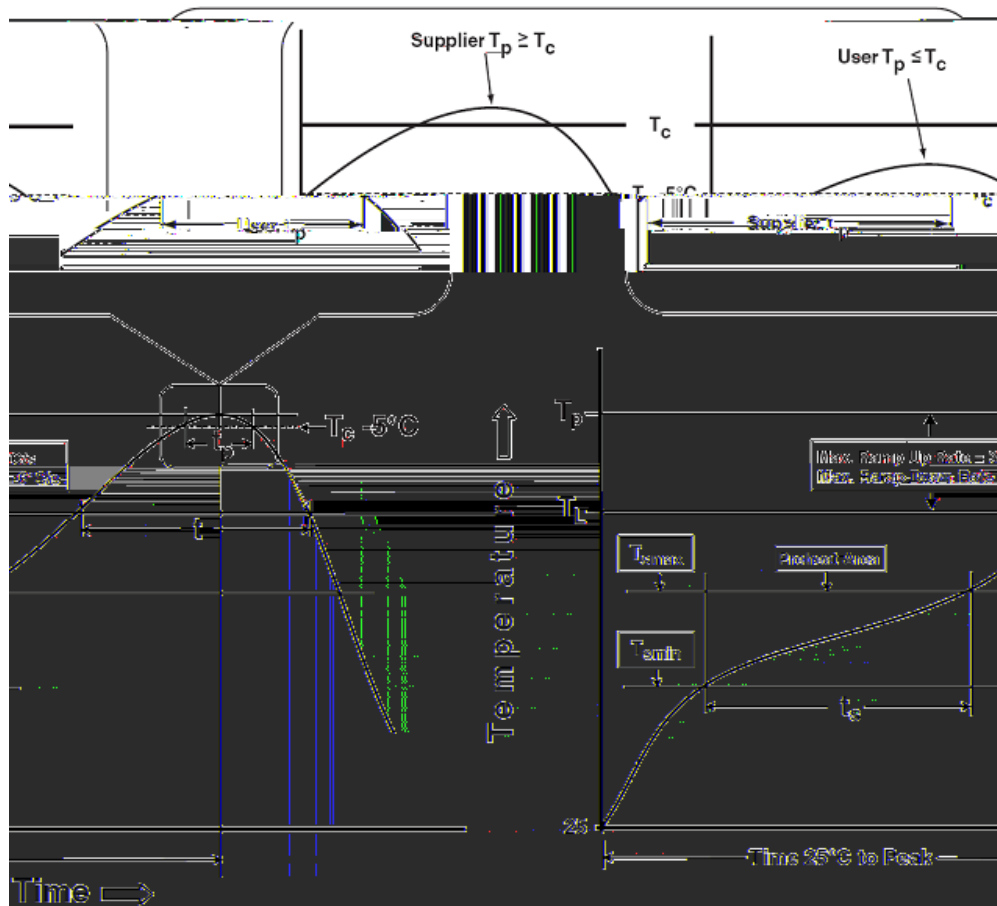
PDFN8L(3.3x3.3)

(unit:mm)



COMMON DIMENSIONS			
SYMBOL	mm		
	MIN	NOM	MAX
A	0.715	0.75	0.785
b	0.25	0.30	0.35
c	0.10	0.15	0.25
D	3.25	3.35	3.45
D1	3.00	3.10	3.20
D2	1.78	1.88	1.98
D3	\	0.20	\
E	3.20	3.30	3.40
E1	3.10	3.20	3.30
E2	2.44	2.54	2.64
e	0.65BSC		
H	0.34	0.39	0.44
L	0.35	0.40	0.45
L1	\	0.13	\
	\	10°	10°
M	\	\	0.10
*Not specified			

Classification Profile



Classification Reflow Profiles

Profile Feature	Sn-Pb Eutectic Assembly	Pb-Free Assembly
Preheat & Soak		
Temperature min (T_{smin})	100 °C	150 °C
Temperature max (T_{smax})	150 °C	200 °C
Time (T_{smin} to T_{smax}) (t_s)	60-120 seconds	60-120 seconds
Average ramp-up rate (T_{smax} to T_P)	3 °C/second max.	3°C/second max.
Liquidous temperature (T_L)	183 °C	217 °C
Time at liquidous (t_L)	60-150 seconds	60-150 seconds
Peak package body Temperature (T_P)*	See Classification Temp in table 1	See Classification Temp in table 2
Time (t_P)** within 5°C of the specified classification temperature (T_C)	20** seconds	30** seconds
Average ramp-down rate (T_P to T_{smax})	6 °C/second max.	6 °C/second max.
Time 25°C to peak temperature	6 minutes max.	8 minutes max.
*Tolerance for peak profile Temperature (T_P) is defined as a supplier minimum and a user maximum.		
** Tolerance for time at peak profile temperature (t_P) is defined as a supplier minimum and a user maximum.		

Table 1.SnPb Eutectic Process Classification Temperatures (Tc)

Package Thickness	Volume mm ³	Volume mm ³
	<350	350
2.5 mm	235 °C	220 °C
	220 °C	220 °C

Table 2.Pb-free Process Classification Temperatures (Tc)

Package Thickness	Volume mm ³	Volume mm ³	Volume mm ³
	<350	350-2000	2000
<1.6 mm	260 °C	260 °C	260 °C
1.6 mm 2.5 mm	260 °C	250 °C	245 °C
2.5 mm	250 °C	245 °C	245 °C

Reliability Test Program

Test item	Method	Description
SOLDERABILITY	JESD-22, B102	5 Sec, 245°C
HTRB	JESD-22, A108	168/500 Hrs, Bias @ 150°C
HTGB	JESD-22, A108	168 /500 Hrs, V _{gs} 100% @ 150°C
PCT	JESD-22, A102	96 Hrs, 100%RH, 2atm, 121°C
TCT	JESD-22, A104	250/500 Cycles, -55°C~150°C

Customer Service

Worldwide Sales and Service: sales@hymexa.com

Technical Support: Technology@hymexa.com

Huayi Microelectronics Co., Ltd.

No.8928, Shangji Road, Economic and Technological Development Zone, Xi'an, China

TEL: (86-029) 86685706

FAX: (86-029) 86685705

E-mail: sales@hymexa.com

Web net: <http://www.hymexa.com/>